



- ورودی و خروجی IP
- ساپورت DVB-S2 Input Stream Identifier
- قابلیت تعریف Redundancy بین ورودی تیونر، ASI و ورودی IP
- ریماکس داخلی
- دکودینگ SD/HD MPEG-2 and MPEG-4 AVC/H.264
- قابلیت ساپورت BISS-1 و BISS-E
- قابلیت ریموت کنترل از طریق SNMP و HTTP
- با قابلیت BER مونیتورینگ

دستگاه PSS-510P یک گیرنده حرفه ای HD با قابلیت دریافت ، انجام Decoding و Remux سیگنال دریافتی می باشد.

دستگاه PSS-510P با بهره گیری از ورودی و خروجی های متنوع خود همچنین قابلیت ریماکس داخلی، توانایی پوشش رنج وسیعی از نیاز های مربوط به سیستم های ارسال و دریافت ماهواره ای اعم از SNG ، Up-Link و TS-IP را دارا می باشد.

PSS-510P یک دستگاه حرفه ای با کیفیت Broadcast و با قابلیت پشتیبانی فرمتهای MPEG-2 و MPEG-4 AVC/H.264 بوده و طیف متنوعی از خروجی های آنالوگ و دیجیتال شامل خروجی تصویر CVBS، صدای AES/EBU، صدای آنالوگ، SD-SDI و HD-SDI را ساپورت می نماید.

این دستگاه همچنین دارای قابلیت Down-Conversion و تنظیم aspect ratio سیگنال HD جهت ایجاد خروجی های Base Band صدا و تصویر آنالوگ می باشد.



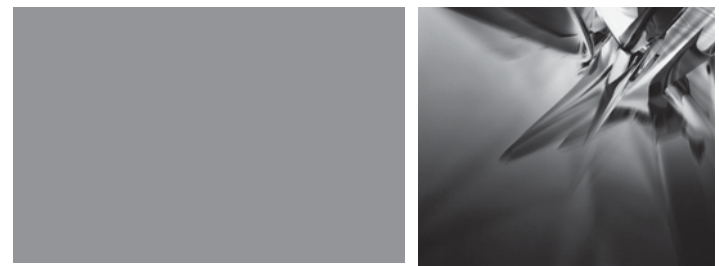
Specification

Tuner Input	
DVB-S/S2 Tuner Input (ISI Factory Optional)	
Connector Type	1 × F type female 75 Ω for Input, 1 × F type female 75 Ω for loop through output
Input Frequency Range	950 ~ 2150MHz
Input Level	-25 ~ -65dBm
Symbol Rate	2 ~ 45Mbaud
Roll-off Factor	DVB-S QPSK: 0.35
	DVB-S2 8PSK: 0.35, 0.25, 0.2
FEC Code Rate	DVB-S QPSK: 1/2, 2/3, 3/4, 5/6, 7/8
	DVB-S2 QPSK: 1/2, 3/5, 2/3, 3/4, 4/5, 5/6, 8/9, 9/10
	DVB-S2 8PSK: 3/5, 2/3, 3/4, 5/6, 8/9, 9/10
LNB Polarity Selection Voltage	0, 13V, 18V selectable
LNB Band Selection Tone	0/22KHz selectable
Satellite Selection Command	DiSEqC 1.0
ISI ID	1 ~ 255 user configurable
DVB-C Tuner Input	
Connector Type	1 × F type female 75 Ω for Input, 1 × F type female 75 Ω for loop through output
Input Frequency Range	48 ~ 862MHz
Input Level	45 ~ 75dB μV
Symbol Rate	1 ~ 7Mbaud (ITU J.83 Anne × A)
Constellation	16/32/64/128/256QAM
Bandwidth	6MHz/7MHz/8MHz
Input Return Loss	7dB (typ.)
DVB-T/T2 Tuner Input	
Connector Type	1 × F type female 75 Ω for Input, 1 × F type female 75 Ω for loop through output
Input Frequency	104 ~ 862MHz (VHF/UHF)
Input Level	-20 ~ -70dBm
Constellation	DVB-T: QPSK/16-QAM/64-QAM
	DVB-T2: QaPSK, 16QAM, 64QAM, 256QAM
Bandwidth	6MHz/7MHz/8MHz
FFT Mode	DVB-T: 2K/8K
	DVB-T2: 1K, 2K, 4K, 8K, 16K, 32K
Guard Interval	DVB-T: 1/4, 1/8, 1/16, 1/32
	DVB-T2: 1/4, 5/32, 1/8, 5/64, 1/16, 1/32, 1/64, 1/128
FEC Code Rate	DVB-T: 1/2, 2/3, 3/4, 5/6, 7/8
	DVB-T2: 1/2, 3/5, 2/3, 3/4, 4/5, 5/6
Input Return Loss	7dB (typ.)
ASI Input	
Connector Type	2 × BNC female, 75 Ω
Standard	DVB-ASI, EN50083-9
Input Bit Rate	≤ 100Mb/s
DS3 Input (Option)	
Connector Type	2 × BNC female, 75 Ω, including loop through
Standard	Compliant with ITU-T G.703
Frame Structure	Compliant with ITU-T G.752 and ITU-T G.804
Bit Rate	44.736Mb/s
TS over IP	
Connector Type	1 × RJ-45, 10/100 Base-T or 100/1000 Base-T for TS/IP
Effective Bit Rate	70Mb/s for 10/100 Base-T, 800Mb/s for 1000 Base-T
Protocol	UDP / RTP, Multicast / Unicast, IGMPv2, ARP
TS Processing	
TS Input Management	Demu × and Remu × among Tuner / DS3 (optional) / E3 (optional), ASI and TS/IP Inputs
TS Output Management	Demu × and Remu × for 2 independent ASI outputs
Service and PID Management	Remu ×, filtering and remapping
PSI/SI	PSI/SI table regeneration, NIT and SDT edition, LCN Edition and Re-generation
Descrambler	DVB Common Scrambling Algorithm (CSA)
BISS Mode	BISS-1, BISS-E
Common Interface	Double PCMCIA slots, compatible with major CA CAMs in the market

ASI Output	
Connector Type	2 pairs of BNC female, 75 Ω
Standard	DVB-ASI, EN50083-9
Output Bit Rate	≤ 99Mb/s
TS Processing	2 Independent TS Re-multiple × ed from tuner, TS/IP and 2 ASI inputs
HDMI Output	
Standard	1 × HDMI 1.3 interface (up to 1080i)
Video Resolution and Frame Rate	1080i × 30, 1080i × 29.97, 1080 × 25, 720p × 60, 720p × 59.94, 720p × 50, 480p × 60, 576p × 50, 576i × 25, 480i × 29.97
Audio Embedded	2 × stereos or compressed data pass through*
Digital Video Processing	
Video Standard	MPEG-2(MP@ ML for SD, MP@HL for HD) MPEG 4/H.264 AVC Part 10 (MP@L3 for SD, HP@L4.1 for HD)
SDI Video Resolution	1080i × 30, 1080i × 29.97, 1080i × 25, 720p × 60, 720p × 59.94, 720p × 50, 576i × 25, 480i × 29.97
Video PID Bit Rate	< 80Mb/s
HD/SD-SDI Output	
Connector Type	1 pair of BNCs (mirrored), female, 75 Ω
SD Standard	SMPTE 259M, 270 Mb/s (10bit)
HD Standard	SMPTE 292M, 1.485 Gbit/s (10bit)
Level	800mV p-p
Digital Audio Processing	
Connector Type	2 × D-sub 9 male with × LR adaptor cables
Number of Output	2 × audio are decoded or passed through*
Audio Sampling Rate	32, 44.1 and 48 KHz
Audio Bit Rate	32, 64, 96, 128, 160, 192, 224, 256, 288, 320, 352, 384, 416 and 448 kb/s for MPEG-1 Layer I 32, 48, 56, 64, 80, 96, 112, 128, 160, 192, 224, 256, 320 and 384 kb/s for MPEG-1 Layer II
Nominal Output Level	1V p-p (with standard test stream)
Output Format	AES/EBU
Load Impedance	110 Ω (with × LR adaptor cables)
Analog Video Output	
YPbPr Connector	1 set of RCA female, 75 Ω
CVBS Connector	1 × BNC female 75 Ω, 1 × RCA female 75 Ω
CVBS Standard	NTSC, PAL, and SECAM
YPbPr Resolution	1080i × 30, 1080i × 29.97, 1080i × 25, 720p × 60, 720p × 59.94, 720p × 50, 480p × 60, 576p × 50, 576i × 25, 480i × 29.97
Nominal Output Level	1.0 Vp-p ± 5% (with standard test stream)
Frequency Response	< ± 1 dB, at 5.5 MHz for PAL/SECAM, 4.2MHz for NTSC and 15MHz for HD YPbPr
Chroma-Luma Delay	< ± 30 ns
Field Time Distortion	< 2%
Line Time Distortion	< 1%
Short Time Distortion	< 2%
Differential Gain	< 3%
Differential Phase	< 2°
Signal to Noise Ratio	> 55dB (luminance weighted)
Analog Audio Output	
Connector Type	2 × D-sub 9 male, with × LR adaptor cable
Output Impedance	600 Ω (balanced)
Output Mode	Left, Right, Dual Mono, Stereo
Number of Output	2 pairs of stereo audio outputs (2 Audio PIDs or 4 channels are decoded).
Cross Talk Among Channels	> 70dB
THD	< 0.3% @ 400Hz, 1KHz test tone
Frequency Response	± 0.5dB over 20Hz ~ 18KHz
Output Level	0dBm in 600 Ω (0dBu), adjustable range ± 10dB
Ancillary Data Processing	
Subtitle	DVB, EBU
VBI	Teletext, WSS, VFD, VPS
Closed Caption	EIA 608, EIA 708, EIA 608-to-708

Professional HDTV IRD and Processor

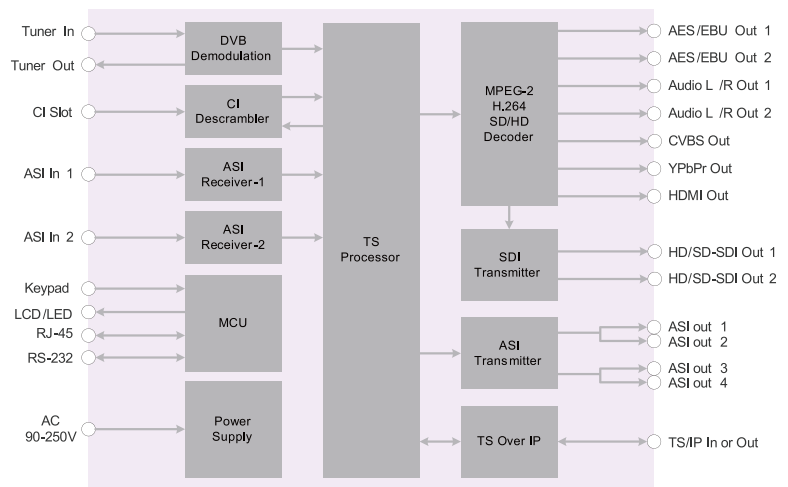
PSS-510P



Redundancy	
Redundancy Port	among Tuner, 2 × ASI inputs and TS/IP
Switching Condition	TS Sync Loss
Switching Mode	Main, Spare
Control & Monitoring	
Connector Type	1 × RJ-45, 10/100 Base-T, for equipment IP Control
Remote Control	SNMP, HTTP (Web Interface), Proprietary HDMS (Headend Device Management System)
Local Control	LCD display and 6-key keypad
Serial Port	1 × RS-232 D-sub female, for debug use only
Equipment Upgrade	Embedded FTP loader and Telnet

Physical	
Dimension	44mm × 483mm × 255mm
Weight	3.4Kg Net, 5.4Kg Gross
Power Supply	AC 90V ~ 250V, 50/60Hz
Power Consumption	24W (e × clusive of LNB power)
Operating temperature	0 ~ 45°C
Storage temperature	-10 ~ 60°C
Operating Humidity	10 ~ 90%, non-condensed
Certification	
EMC: EN 55024:1998+A1:2001+A2:2003, EN 55022:2006+A1:2007, EN 61000-3-2:2006, EN 61000-3-3:2008	
FCC: Part 15 Class B	
LVD: EN 60950-1:2006 + A11:2009	

Block Diagram



Order Information

Interface	PSS-510P-30X	PSS-510P-43X	PSS-510P-44X	PSS-510P-46X
Tuner	X = Tuner option: <input type="checkbox"/> -T2: DVB-T2 <input type="checkbox"/> -T: DVB-T <input type="checkbox"/> -C: DVB-C <input type="checkbox"/> -S2: DVB-S2 <input type="checkbox"/> -ISI: DVB-S2 ISI <input type="checkbox"/> -D: DS3 <input type="checkbox"/> -E3: E3			
ASI Input	× 2	× 2	× 2	× 2
Common Interface	× 2	× 2	× 2	× 2
Built-in Re-mux	•	•	•	•
ASI-Output	× 2	× 2	× 2	× 2
HDMI	× 1	× 1	× 1	× 1
SDI	× 2	× 2	× 2	× 2
YPbPr	× 1	× 1	× 1	× 1
Audio L/R	× 2	× 2	× 2	× 2
AES-EBU	× 2	× 2	× 2	× 2
CVBS	× 2	× 2	× 2	× 2
10/100M extension board (Dual 6 Ch)		•		
10/100M extension board (32 Ch)			•	
GbE extension board (Full duplex)				•

• standard

BEHIN MEDIA ELECTRONIC CO.

#10, No.86, 2nd Andisheh St., North Sohrevardi Ave., Tehran- IRAN

Tel: +98-21-88409894

Fax: +98-21-88455791